

UNI-7030

UNI7030 tag is a flexible label that can be stuck on metallic assets, especially for irregular and uneven surfaces; it has good performance on the metal surface and can be printed and encoded by a Industrial printer.

They offer an extended reading range, making them competent for disparate application areas.



Applications



Asset Management



Retail Management

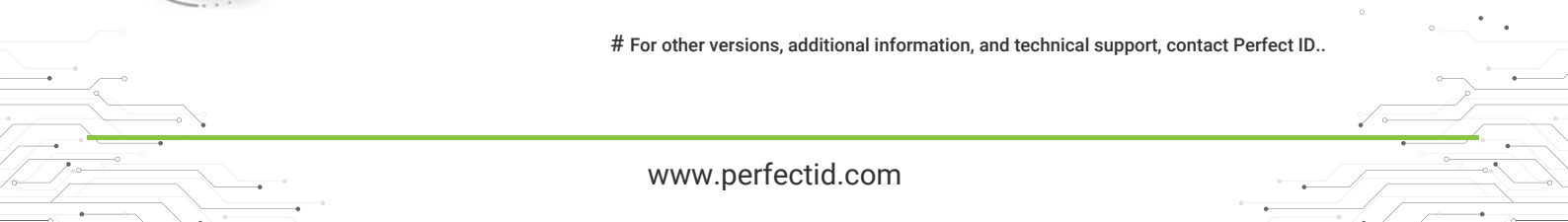


Warehouse Management

Ordering Information:

Part Number	IC Type	Memory Configuration	Face Material
RFL-220209-ETSI/FCC	Impinj Monza M730	EPC Memory - 128 bits	Polyester
RFL-220509-ETSI/FCC	NXP UCODE9	EPC Memory - 96 bits	Polyester

For other versions, additional information, and technical support, contact Perfect ID..



Electrical Specifications

Operational Frequency	FCC: 902-928MHz ETSI: 865- 868 MHz
Interface Protocol	ISO 18000-63 and EPCglobal Gen2v2
Chip Type*	Impinj Monza M730
Memory Configuration	EPC Memory - 128 bits
Data Retention	50 Years
Write Cycle Endurance	100,000 cycles
Read Range**	upto 8 Meter

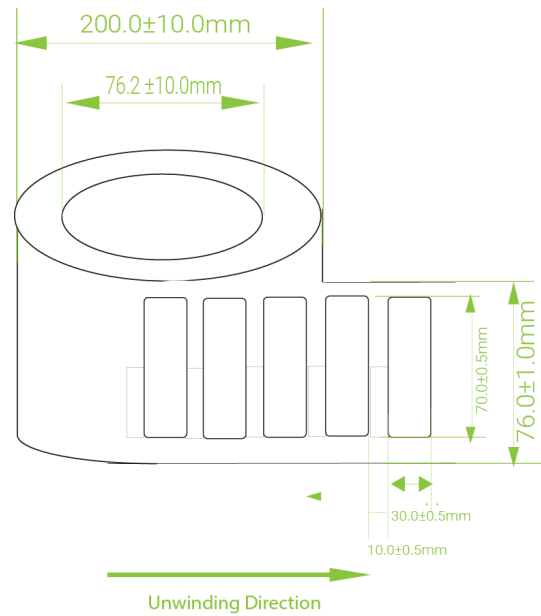
Product characteristics

Die Cut Size	70.0 X 30.0 X 1.0 mm / 2.75 X 1.18 X 0.03 in
Yield	100 %
Face Material	Synthetic Polyester
Packaging	Reel core inner dimension: 76.2mm/3" , 500pcs/roll
Attachment	Adhesive

Environmental Specifications

Operating Temperature	-40 to +85 °C
Storage Temperature	-40 to +85 °C
IP Rating	IP 68 , test for 5 hr at 1m deep water

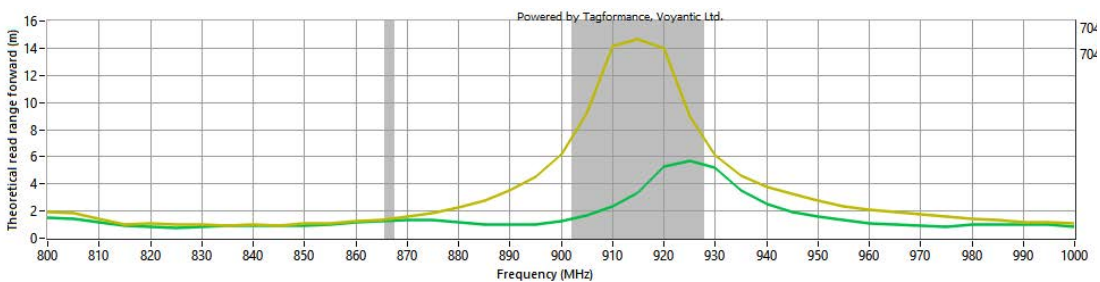
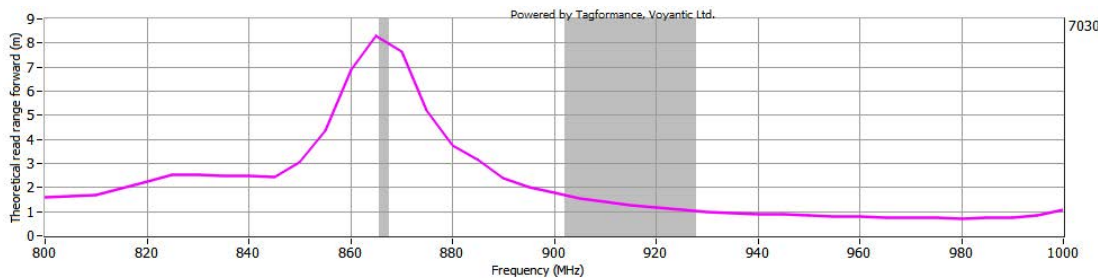
Product Drawing



Personalization

- Customer specific encoding of EPC .
- Customised printing of logo, text, barcode ,etc.

READ RANGE GRAPH



** The indicated read range values were measured in our laboratory testing environment, where antennas with optimum directivity had been used with a maximum allowed operating power. Different surface materials and environments may exhibit different results.